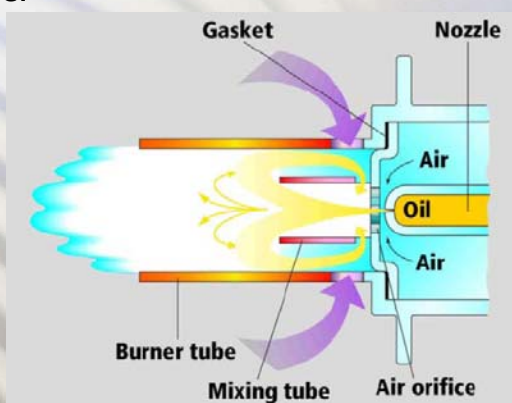


Rocket Burner Blue Flame Soot Free Low NOx Oil Burner Range.



- Oil burner with blue flame, soot free technology with outputs from 15 to 315 kW.
- The oil is converted into gas: extremely low oil consumption and particularly low emissions are the results of perfect, soot-free combustion.
- Low NOx operation <108mg/kWh. Application figures returning figures of < 65mg/kWh.
- Universally compatible for maximum output on all generally used boilers.
- Enhanced efficiency maintained throughout the operating year due to the soot free operation.
- Over one million units installed, 100% prefired and adjusted.
- Version available with ceramic burner tube specially designed for operation with low-sulphur heating oil
- Biodiesel compatible.



MHG Heating Ltd Unit 4 Epsom Downs Metro Centre, Waterfield, Tadworth, Surrey. KT20 5LR
Phone 08456 448802 Fax 08456 448803 Email info@mhgheating.co.uk web www.mhgheating.co.uk

Rocket Burner Blue Flame Soot Free Low NOX Oil Burner Range.

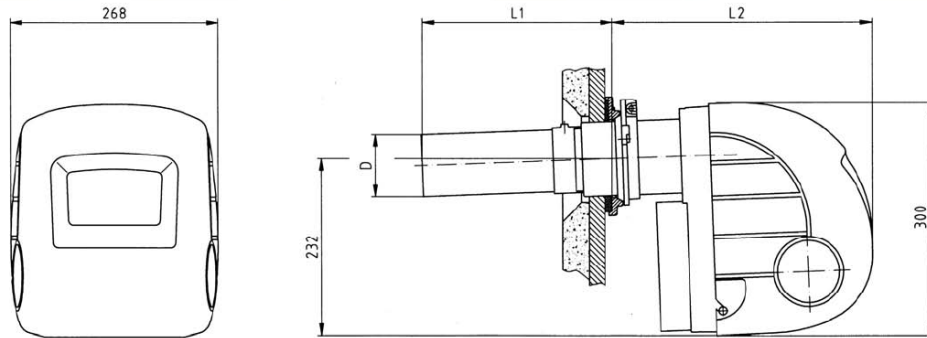


Fig. 34:

	RE 1.19 H / HK	RE 1.22 H / HK	RE 1.26 H / HK	RE 1.32 H / HK	RE 1.38 H / HK	RE 1.44 H / HK	RE 1.50 H / HK	RE 1.60 H / HK	RE 1.70 H / HK
D	80	80	80	93	93	93	93	93	93
L1	250	250	250	270	270	270	270	310	310
L2	337	337	337	337	337	357	357	357	357

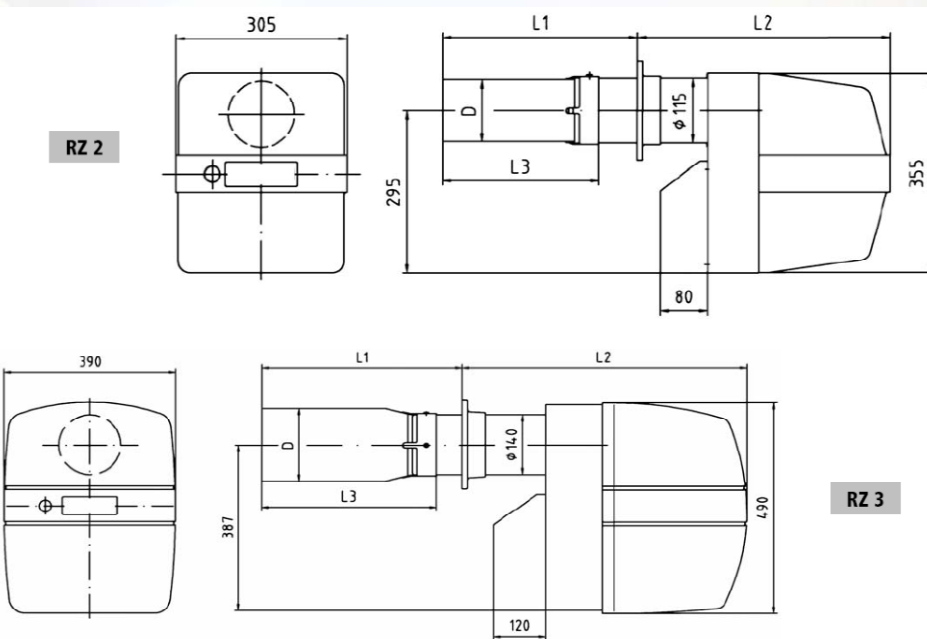


Fig. 26:

Burner type	RZ 2.6	RZ 2.7	RZ 2.8	RZ 2.9	RZ 2.10	RZ 2.11	RZ 3.0	RZ 3.1	RZ 3.2	RZ 3.3
Size L1 ca. mm	330	330	360	370	420	420	460	460	460	460
Size L2 ca. mm	410	410	410	410	410	410	650	650	650	650
Size L3 mm	243	253	278	297	347	347	398	398	398	415
Size D mm	90	96	110	114	127	127	164	164	164	177

MHG Heating Ltd Unit 4 Epsom Downs Metro Centre, Waterfield, Tadworth, Surrey. KT20 5LR
 Phone 08456 448802 Fax 08456 448803 Email info@mhgheating.co.uk web www.mhgheating.co.uk

