

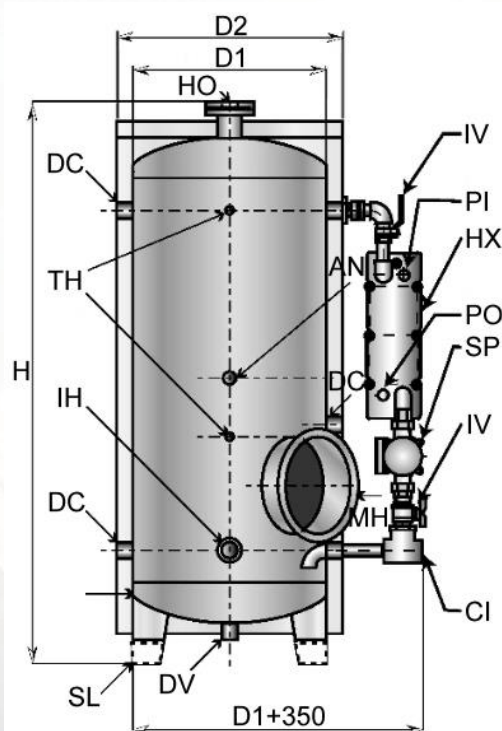
Prepackaged Plate /Calorifier Range. 500-3000L & 41-332kW



- The Prepackaged semi-storage calorifiers are designed for where there is high-peak domestic hot water demand, but where there is intermittent demand and/or limited plant room space.
- Each unit incorporates a buffer vessel and an efficient packaged heat exchanger, plate heat exchanger, circulating pump, thermostat and stainless steel pipe work.
- Optional control package available. Comprising of a housed PID controller & sensors, 3 port modulating valve, primary pump and interconnecting pipework.
- Domestic water is drawn from the lower part of the vessel across the plate heat exchanger for heating. If fitted, the thermostat can stop the primary pump when the desired temperature is achieved.
- Capacities of 500 to 3000-litres
- Highest quality stainless steel construction with automatic electric welds
- Vertical with three support legs
- Working pressure: 7-bar
- Test pressure: 10-bar
- ø400 mm inspection manhole
- 50mm mineral wool insulation
- PVC flexible jacket or optional Aluminum outer case
- Demountable AISI 316L stainless steel plate heat exchanger
- Stainless steel secondary circulating pump
- 0°- 90°C double safety thermostat
- Isolation valves
- Optional Accessories including:
 - 0-120C thermometer,
 - DN25 valve.
 - Anti-vacuum valve.
 - DN50 drain valve.
- Non-standard dimensions, working pressure, tapping sizes & positions and horizontal vessels available to order.

MHG Heating Ltd Unit 4 Epsom Downs Metro Centre, Waterfield, Tadworth, Surrey. KT20 5LR
Phone 08456 448802 Fax 08456 448803 Email info@mhgheating.co.uk web www.mhgheating.co.uk

Prepackaged Plate/Calorifier Range. 500-3000L & 41-332kW

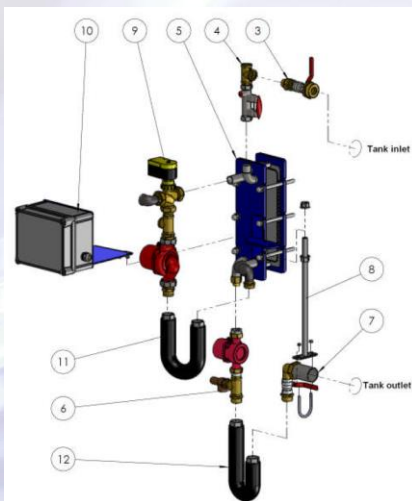


#	Tank Connections	Size
AN	Anode mount. For epoxy units only.	DN50
CI	Cold inlet with baffle.	DN50
DC	Direct connection.	DN50
DV	Drain valve.	DN50
HO	Hot outlet - threaded union (On N100/PN16 flange for on-site fitting.)	DN50
IH	Immersion heater mounting.	M77
IV	Isolation valve.	DN50
MH	Manhole - 500-3000L Int. Ø400mm (300L vessel nozzle int. Ø250mm)	DN400
SL	Support leg	~
SP	Secondary pump	~
TH	Thermometer/Thermostat connection	DN15
Plate Heat Exchanger		
HX	Plate heat exchanger	
PI	Primary inlet.	DN25
PO	Primary outlet.	DN25

Optional Control Package

Buffer Vessels					
Capacity (Litres)	D1 (mm)	D2 (mm)	D1+350 (mm)	H (mm)	HO/DV (mm)
500	650	750	1000	1870	50/60
750	800	900	1150	1930	50/60
1000 H	800	900	1150	2240	50/60
1000 B	950	1050	1300	1995	50/60
1500 H	950	1050	1300	2545	50/60
1500 B	1100	1200	1450	2070	50/60
2000 H	1100	1200	1450	2625	50/60
2000 B	1300	1400	1650	2170	50/60
2500	1300	1400	1650	2420	50/60
3000	1300	1400	1650	2720	50/60

#	Description
3	Flow valve set and unions
4	Commissioning valve
5	Plate heat exchanger
6	Secondary pump and safety valve
7	Return valve set and unions
8	Support rod
9	Primary pump, Modulating 3 Way Valve and unions
10	PID controller and sensors
11	Primary flexible pipes
12	Secondary flexible pipes



MHG Heating Ltd Unit 4 Epsom Downs Metro Centre, Waterfield, Tadworth, Surrey. KT20 5LR
Phone 08456 448802 Fax 08456 448803 Email info@mhgheating.co.uk web www.mhgheating.co.uk