

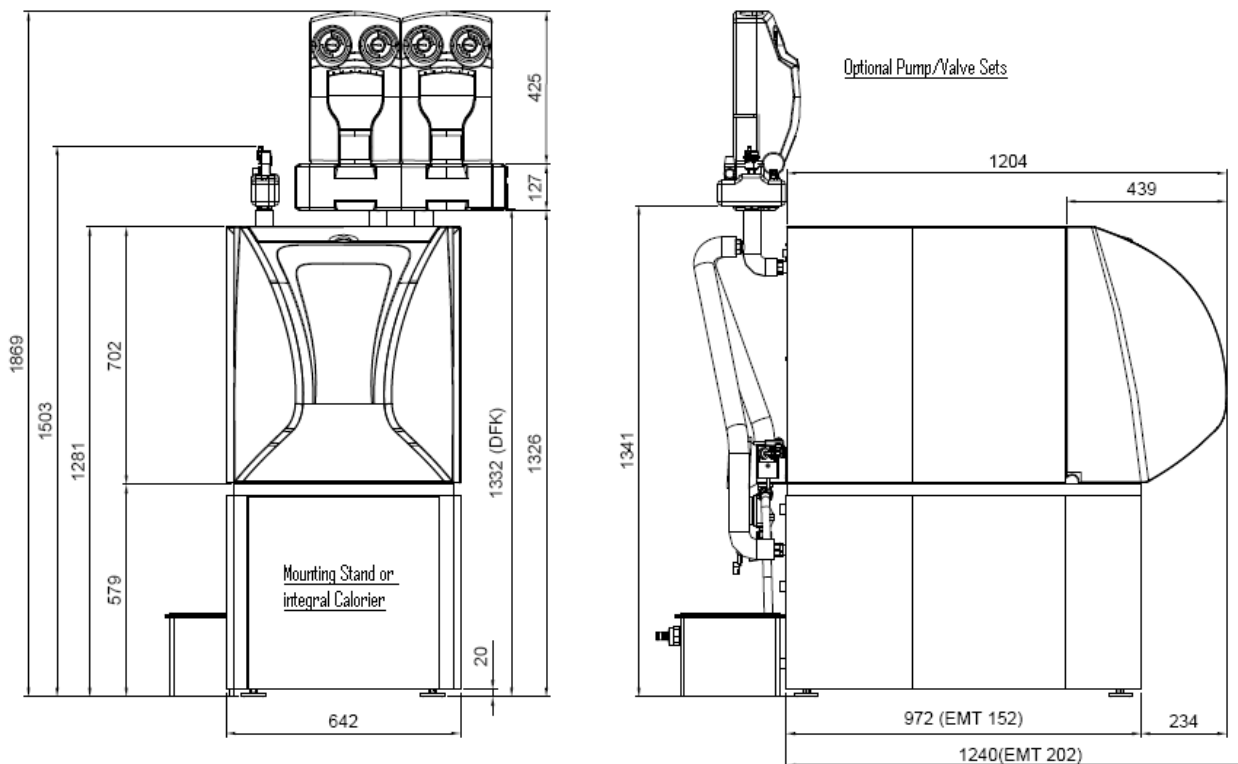
EcoStar 500 Oil Condensing Range. 16-27kW.



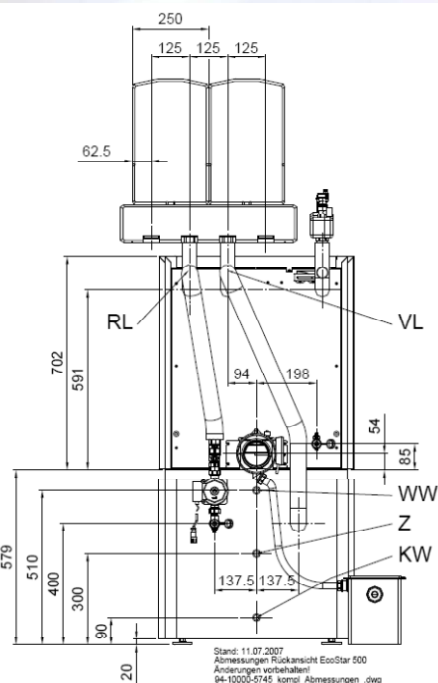
- A combination of the tried and trusted cast iron primary heat exchanger and revolutionary corrosion resistant glass secondary heat exchanger.
- The use of the matched soot free Low NOx, Blue Flame Rocket Burner ensures optimum efficiency throughout the operating year. >104%.
- Low Sulphur and Bio-Diesel fuel ready.
- Integral control system ensures optimum heat generation.
- Integral cascade functionality.
- Hybrid heating system compatible. Heat pump and solar control via cascade.
- Balanced (Wall or Roof) flue configurable or open flued DN80 PPS flue system.
- Full building management integration.
- Outputs available 15, 18, 22 & 27kW.
- Comprehensive 36 month warranty.

MHG Heating Ltd Unit 4 Epsom Downs Metro Centre, Waterfield, Tadworth, Surrey. KT20 5LR
Phone 08456 448802 Fax 08456 448803 Email info@mhgheating.co.uk web www.mhgheating.co.uk

EcoStar 500 Oil Condensing Range. 16-27kW.



EcoStar 500 Range



Description	Unit	515	518	522	527
Heat Output (50/30)	kW	16.1	18.4	22.5	26.9
Flow Connection	BSP	1 ½			
Return Connection	BSP	1 ½			
Max Pressure	Bar	3			
Max Flow Temp	C	90			
Flue Spigot	mm	80			
Dry Weight	Kg	110	115	119	119
Max Flue Temp	C	80			
Water Content	L	23			
Min Flow Rate	Kg/s	0.55	0.63	0.79	0.96

MHG Heating Ltd Unit 4 Epsom Downs Metro Centre, Waterfield, Tadworth, Surrey. KT20 5LR
 Phone 08456 448802 Fax 08456 448803 Email info@mhgheating.co.uk web www.mhgheating.co.uk

