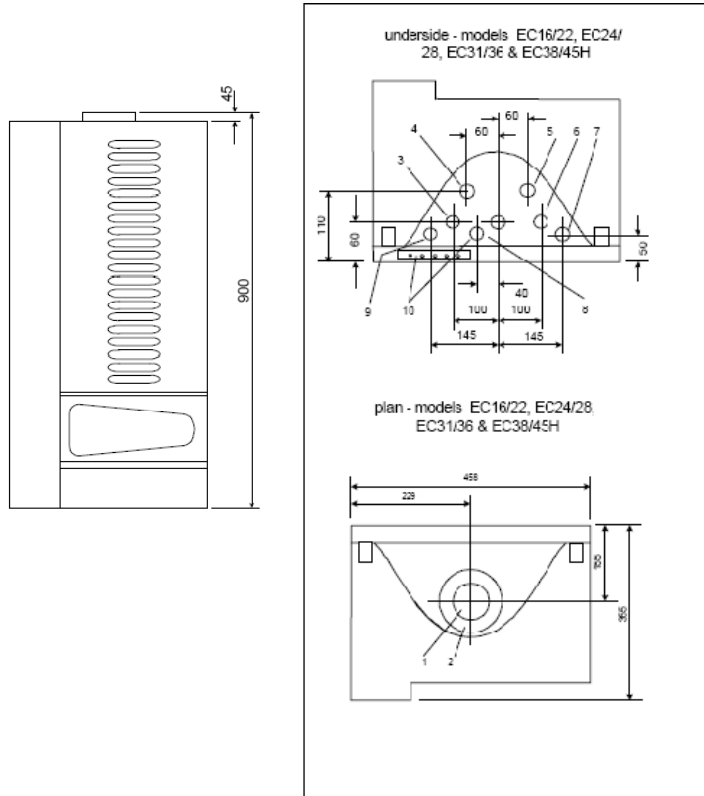


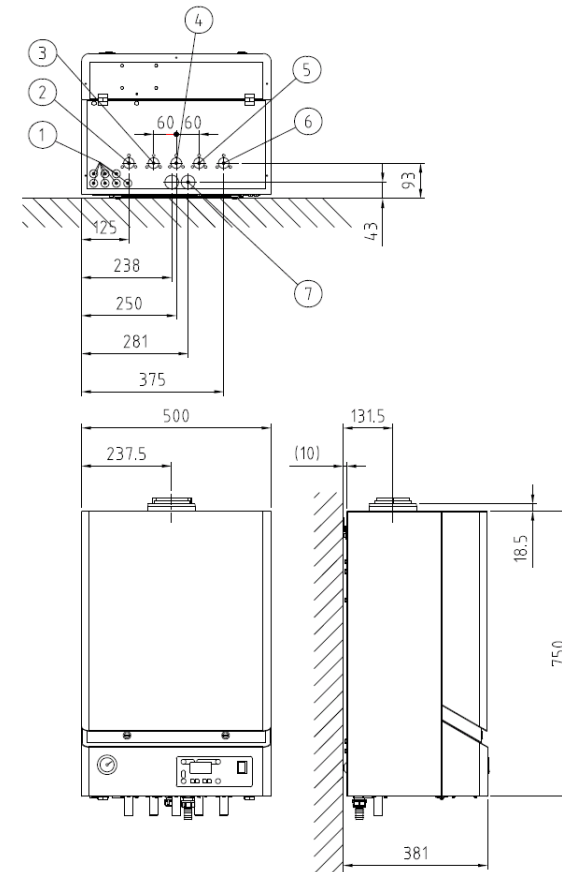


**Connection Alignment Micromat 38 - ProCon 47.**

**MicroMat**



**ProCon**



1. Air Duct (OD)	125mm	125mm	125mm	125mm
2. Flue Gas (OD)	70mm	70mm	70mm	70mm
3. Flow	22mm	22mm	22mm	22mm
4. Flow DHW (EC...HS & S)	22mm	22mm	22mm	22mm
5. Return DHW (EC...IG & S)	22mm	22mm	22mm	22mm
6. Return	22mm	22mm	22mm	22mm
7. Condense Waste	20mm	20mm	20mm	20mm
8. Gas	15mm	15mm	15mm	15mm
9. Condense Siphon Clearing Point (capped)	3/4" BSP	3/4" BSP	3/4" BSP	3/4" BSP
10. Cable Entries	Multiple	Grommets		

**Legend**

1	Cable Entry Grommets	5	Hot Water Primary Return 22mm (HS Models) Cold Water Inlet 22mm (S Models)
2	Heating Flow 22mm (All Models)	6	Heating Return 22mm (All Models)
3	Hot Water Primary Flow 22mm (HS Models) Hot Water Outlet 22mm (S Models)	7	Condensate Outlet 3/4" BSP Plastic
4	Gas Inlet 22mm	7.1	Condensate Cleanout Connection 3/4" Cap